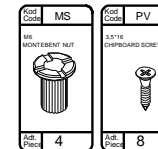
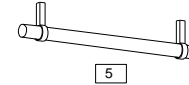
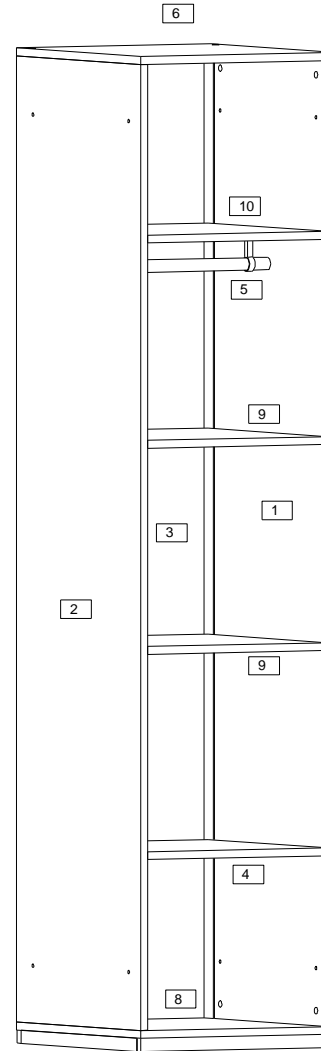


CADİLLAC TEKLİ DOLAP GÖVDE
CADİLLAC SINGLE CABINET BODY

PARTS THAT CAN BE SERVICED
AFTER SALES

SSH OLABİLECEK PARÇALAR

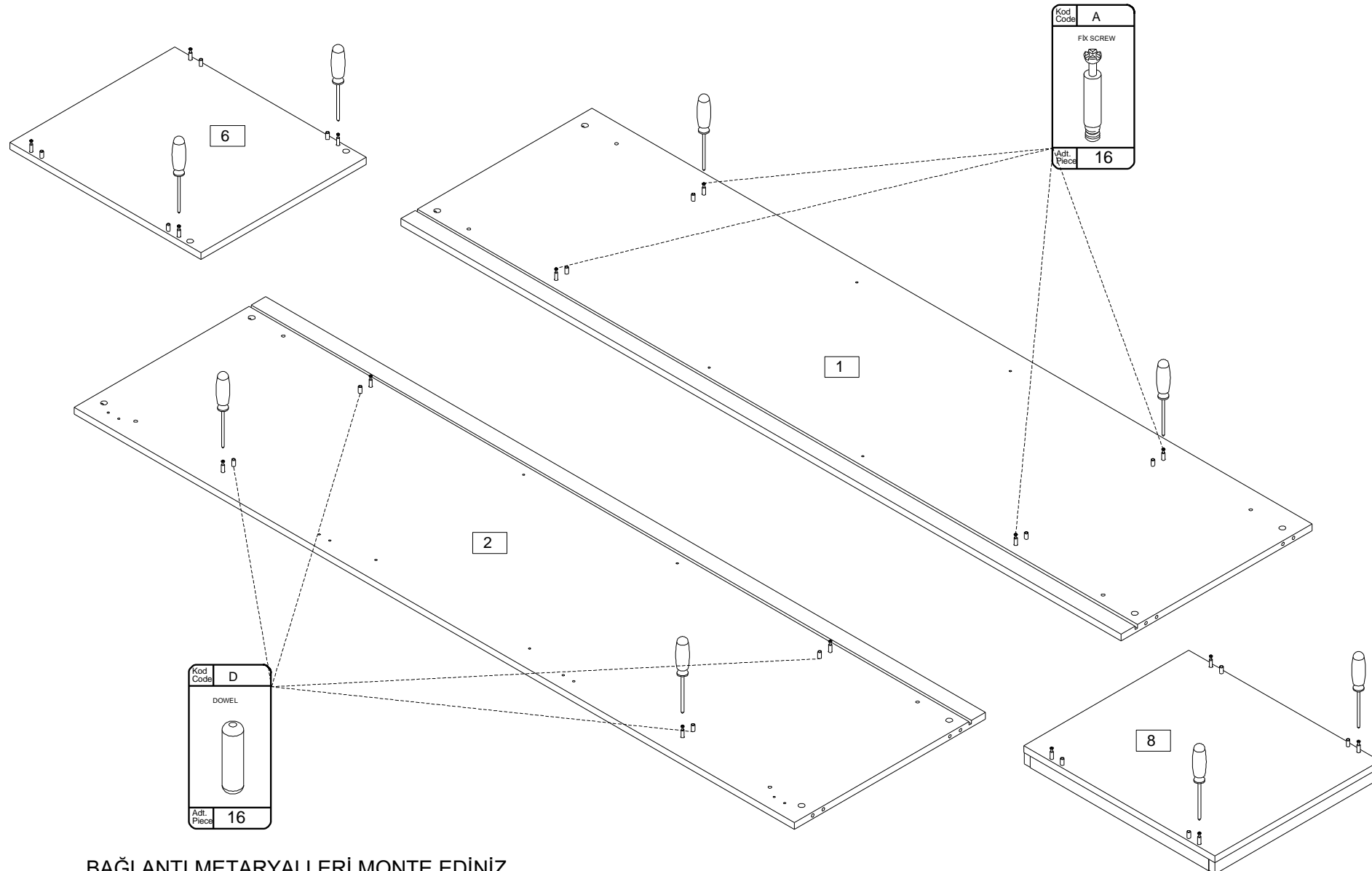


Code	Code A	Code B	Code C	Code D	Code TA	Code TA5	Code H2	Code H6	Code E	Code AS	Code MV	Code AV	Code RP
Items	FIX SCREW	FIX LOCK	FIX PLUG	SONNEL			DS HING	SLOW DR HING	3,2*10 CHIPBOARD SCREWS	BRACKET COMPRESSION	M6X20 BLEN/TUBNAT SCREW	3,2*20 CHIPBOARD SCREWS	5 SH-LF PIN
Quantities	16	16	16	16	2	2	2	2	8	10	4	10	8

SİPARİŞ KODU	PARÇA KODU	PARÇA ADI	ADET
151011805060101	1	SAĞ YAN / RIGHT TABLE	2
151011805060102	2	SOL YAN / LEFT TABLE	1
151011805060103	3	ARKALIK / BACK BOARD	1
151011805060206	4	SABİT RAF / FIXED SHELF	1
150.16.00.10.18	5	ASKI BORUSU / HANGER METAL	1
151011805060202	6	ÜST TABLA / TOP TABLE	1
151011805060205	7	MALZEME PAKETİ / MATERIAL PACKAGE	1
151011805060201	8	ALT TABLA / BOTTOM TABLE	1
151011805060204	9	SEYYAR RAF / PORTABLE SHELF	2
151011805060203	10	ASKILIKLI SABİT RAF / FIXED SHELF WITH HANGER	1

In case you need a sparepart, please indicate "Model Code" and "Accessory Code" shown in the assembly instructions.

LET'S PAY ATTENTION TO THE CODE AND LOCATION OF THE MATERIALS WHEN POSITIONING

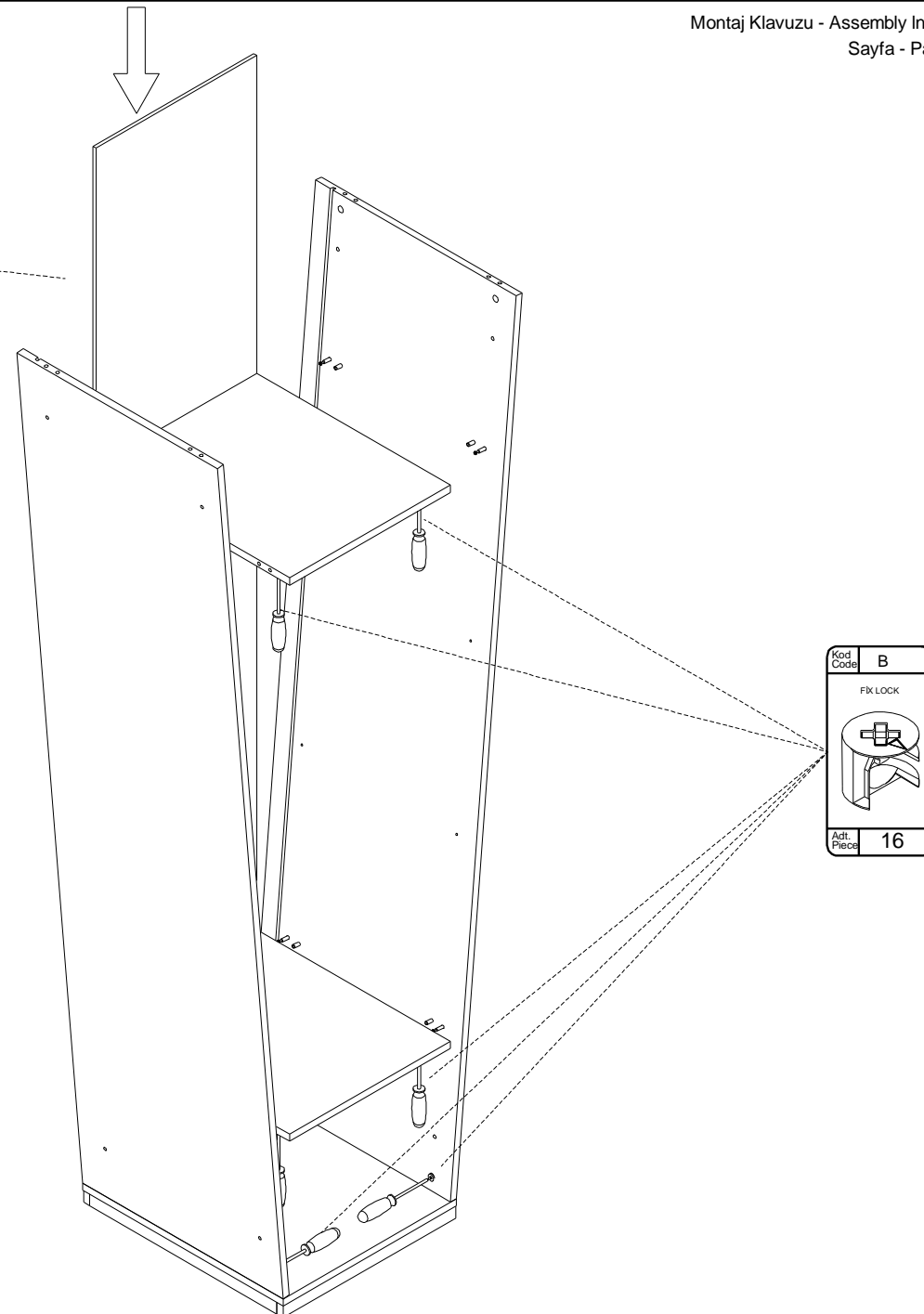


BAĞLANTI METARYALLERİ MONTE EDİNİZ
 INSTALL CONNECTION MATERIALS

!!!!!!ÖNCE ARKALIGI TAKINIZ
!!!!!! INSTALL THE BACKREST FIRST

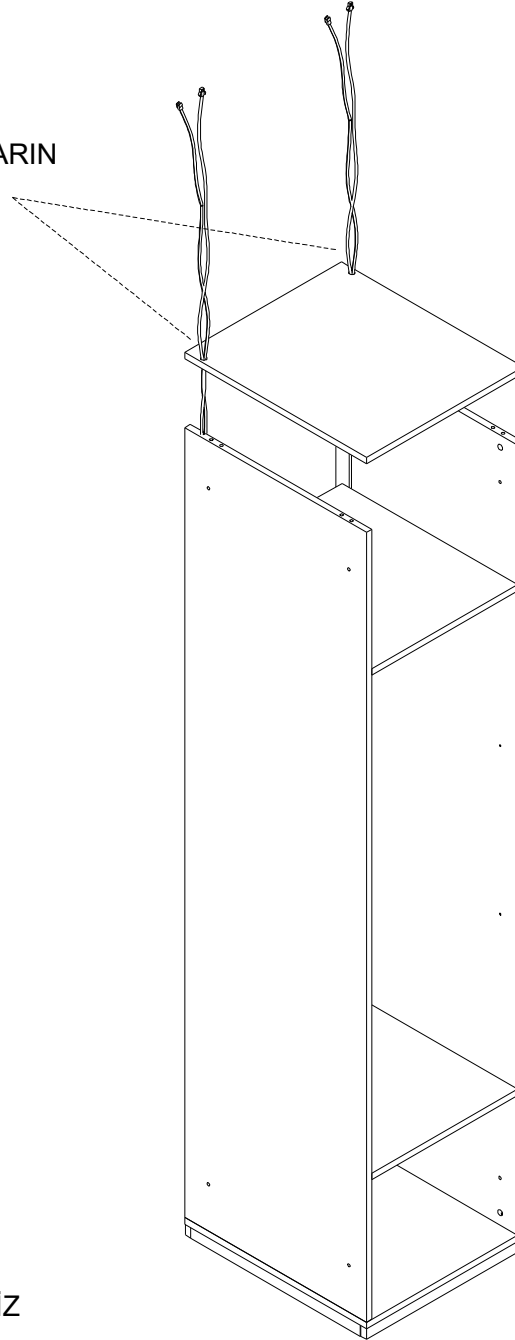
ÜRÜNLERİ AÇILI ŞEKİLDE TOPLAYINIZ
COLLECT THE PRODUCTS IN AN ANGLED WAY

BAĞLANTI METARYALLERİ MONTE EDİNİZ
INSTALL CONNECTION MATERIALS

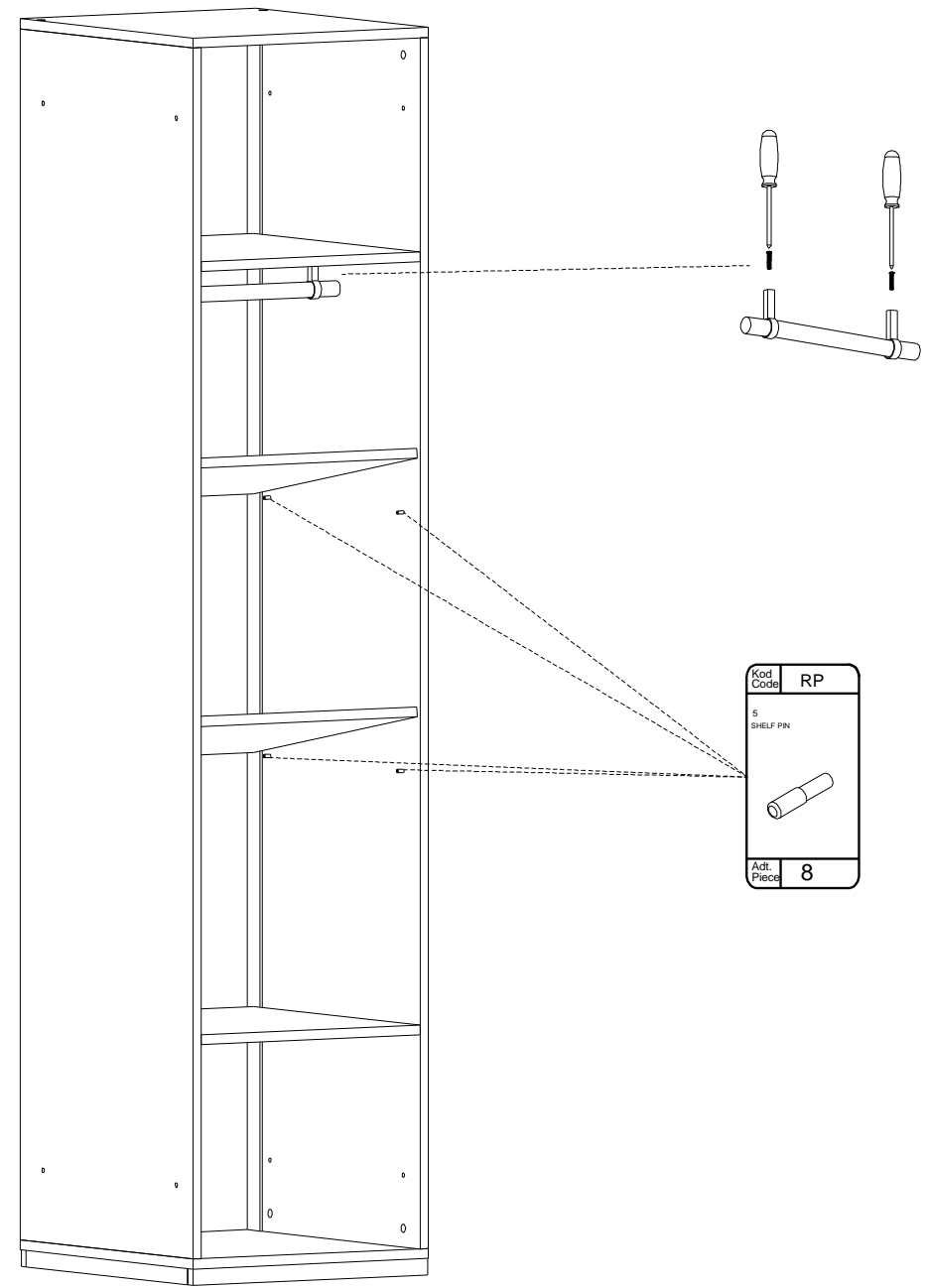


ÜST TABLAYI MONTAJDAN ÖNCE LÜTFEN
BELİRTİLEN DELİKLERDEN KABLOLARI ÇIKARIN

PLEASE REMOVE THE CABLES FROM THE
MENTIONED HOLES BEFORE INSTALLING
THE TOP TABLE



BAĞLANTI METARYALLERİ MONTE EDİNİZ
INSTALL CONNECTION MATERIALS

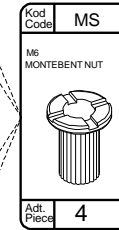
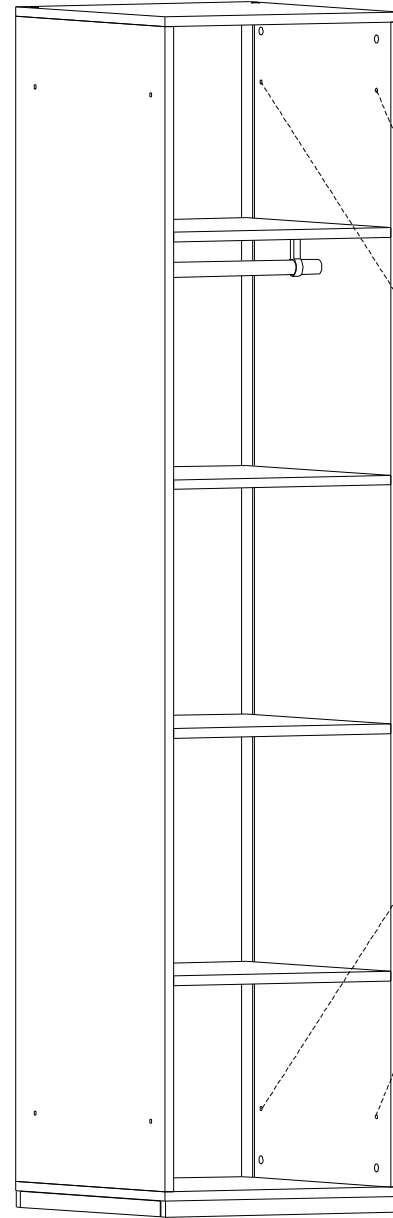


BAĞLANTI METARYALLERİ MONTE EDİNİZ
INSTALL CONNECTION MATERIALS

!!!KAPAK MONTAJI YAPILACAK
TABLA SAĞ VEYA SOL KISMA
MONTE EDİLİP İSTEĞE GÖRE
SAĞ YADA SOL MODÜL ELDE
EDİLEBİLİR

!!!!!!! THE COVER CAN BE
MOUNTED ON THE RIGHT OR
LEFT PART OF THE TABLE ON
WHICH THE COVER WILL BE
MOUNTED, AND IT CAN HAVE A
RIGHT OR LEFT MODULE
OPTIONALLY.

BAĞLANTI METARYALLERİ MONTE EDİNİZ
INSTALL CONNECTION MATERIALS



DİĞER MODÜLLERİ BİRLEŞTİRMEK
İÇİN İÇTEN MONTAJ

INSTALL FROM THE INTERIOR TO
COMBINE OTHER MODULES