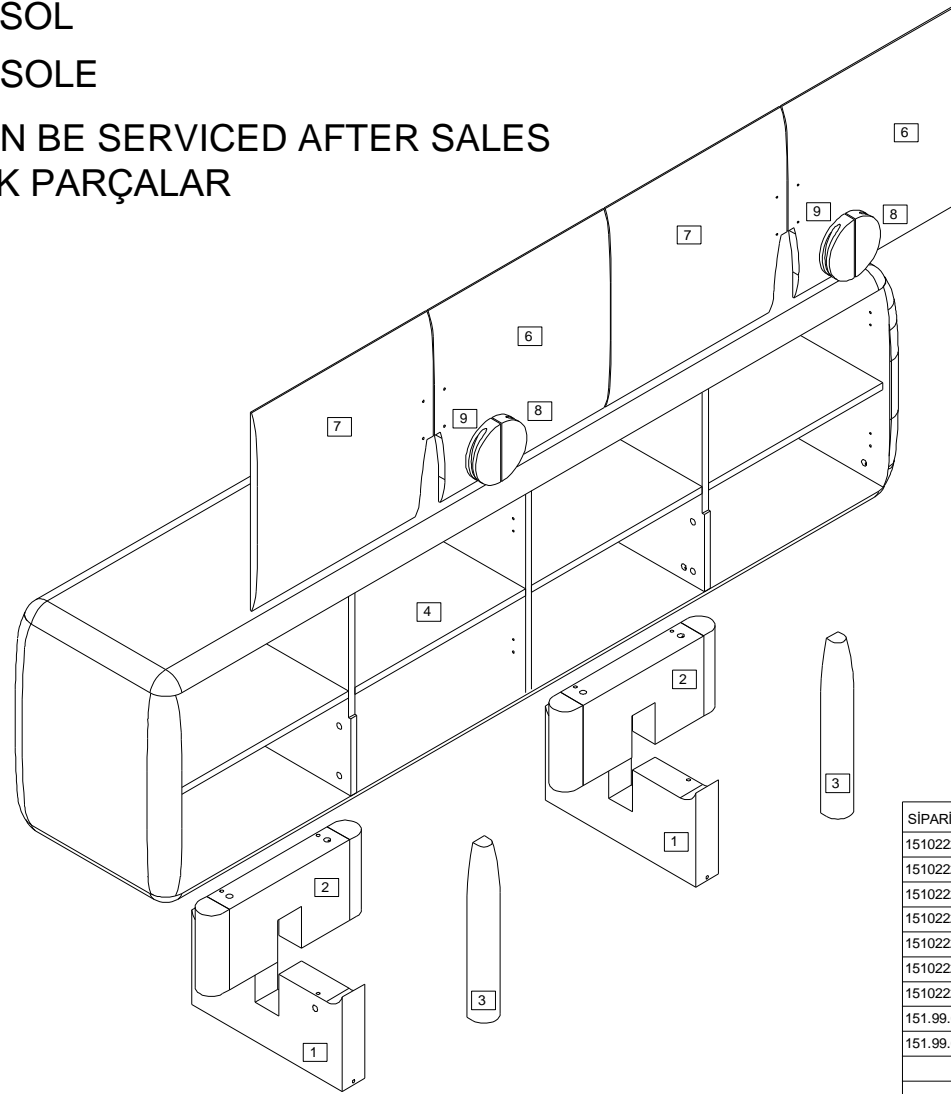


CORVETTE KONSOL
CORVETTE CONSOLE

PARTS THAT CAN BE SERVICED AFTER SALES
SSH OLABİLECEK PARÇALAR



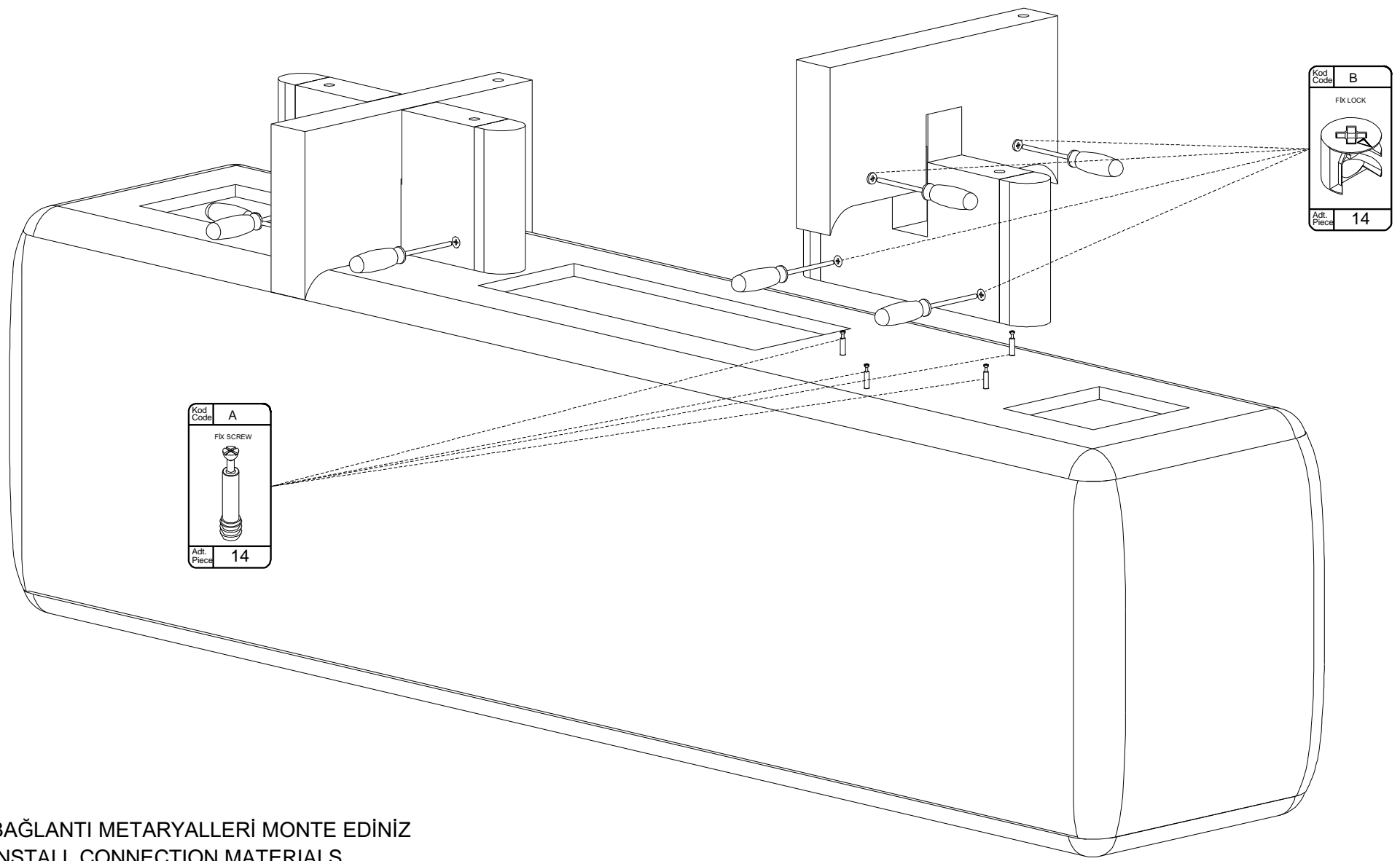
| SIPARIŞ KODU | PARÇA KODU | PARÇA ADI | ADET |
|-------------------|------------|--|------|
| 151022221140103 | 1 | AHŞAP AYAK ÜST KERTİK/ WOODEN FOOT TOP NOTCH | 2 |
| 151022221140104 | 2 | AHŞAP AYAK ALT KERTİK/ WOODEN FOOT UNDER NOTCH | 2 |
| 151022221140105 | 3 | AHŞAP AYAK / WOODEN FOOT | 2 |
| 151022221140101 | 4 | KONSOL BLOK / CONSOLE BLOCK | 1 |
| 151022221140102 | 5 | MALZEME PAKETİ / METARİAL PACKAGE | 1 |
| 15102222114010109 | 6 | SAĞ KAPAK / RIGHT DOOR | 2 |
| 15102222114010110 | 7 | SOL KAPAK / LEFT DOOR | 2 |
| 151.99.03.105 | 8 | SAĞ AHŞAP KULP / RIGHT WOODEN HANDLE | 2 |
| 151.99.03.106 | 9 | SOL AHŞAP KULP / LEFT WOODEN HANDLE | 2 |
| | | | |
| | | | |
| | | | |
| | | | |
| | | | |
| | | | |
| | | | |
| | | | |
| | | | |
| | | | |
| | | | |
| | | | |
| | | | |

5

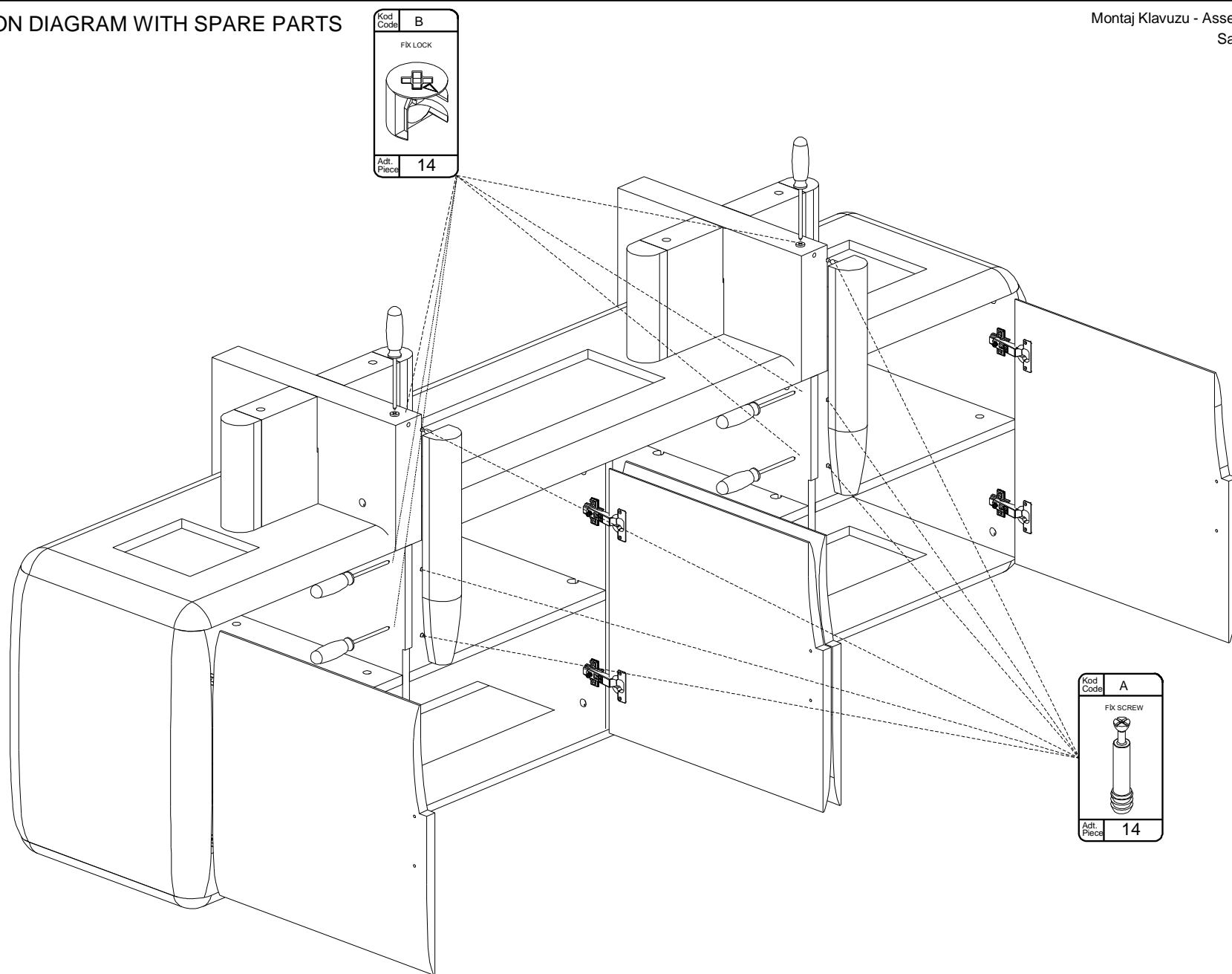
MATERIAL
PICTURES

| | | | | | |
|------------|-----------|----------|----------|----------|---------------------------|
| Code | A | B | CK | CB | E4 |
| Items | FIX SCREW | FIX LOCK | FIX PLUG | FIX PLUG | 2.5*15 PROFİLAND SİRKİLER |
| Quantities | 14 | 14 | 14 | 2 | 8 |

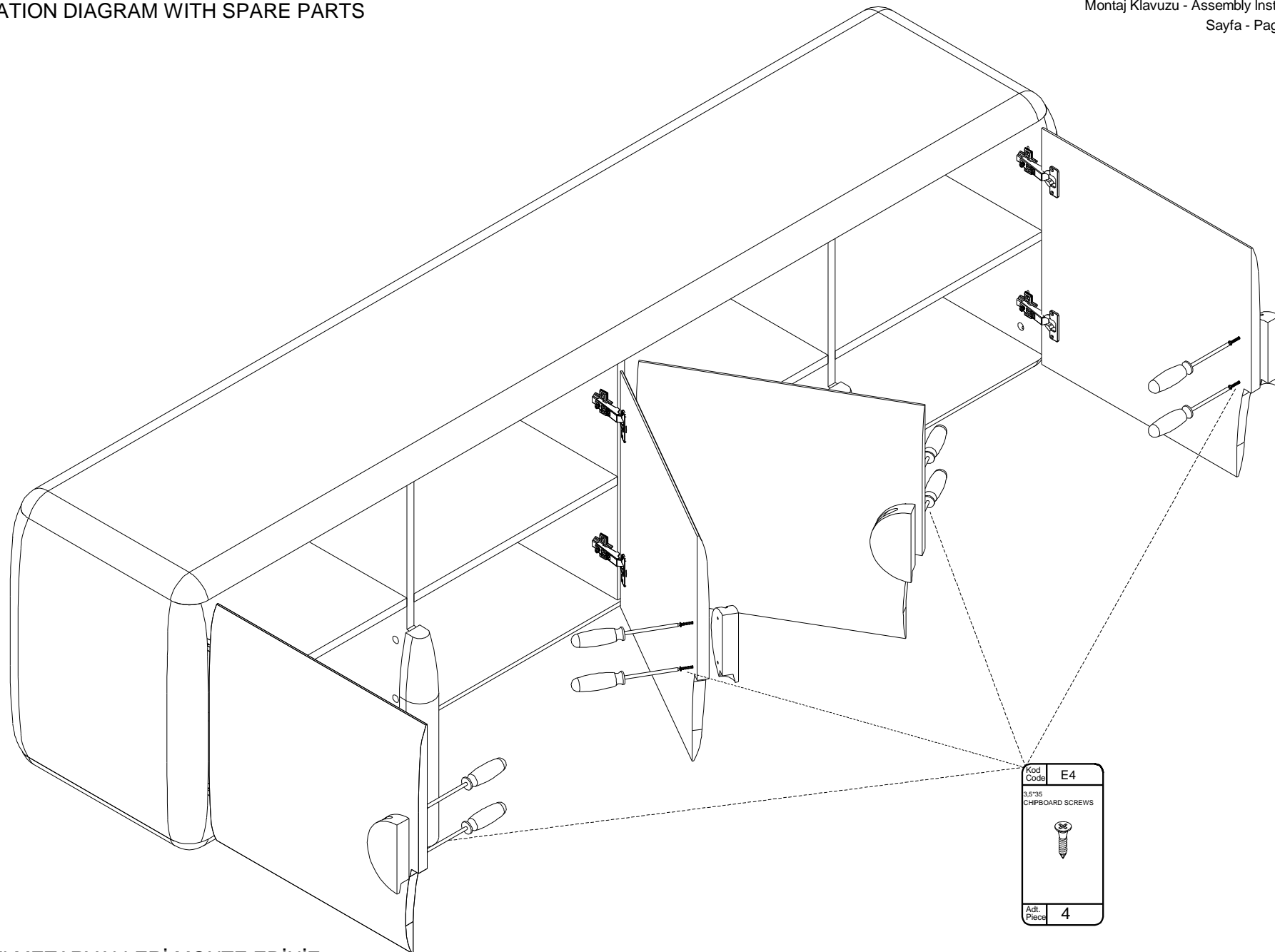
In case you need a sparepart, please indicate "Model Code" and "Accessory Code" shown in the assembly instructions.
LET'S PAY ATTENTION TO THE CODE AND LOCATION OF THE MATERIALS WHEN POSITIONING



BAĞLANTI METARYALLERİ MONTE EDİNİZ
INSTALL CONNECTION MATERIALS



BAĞLANTI METARYALLERİ MONTE EDİNİZ
INSTALL CONNECTION MATERIALS



BAĞLANTI METARYALLERİ MONTE EDİNİZ
INSTALL CONNECTION MATERIALS