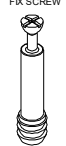
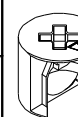
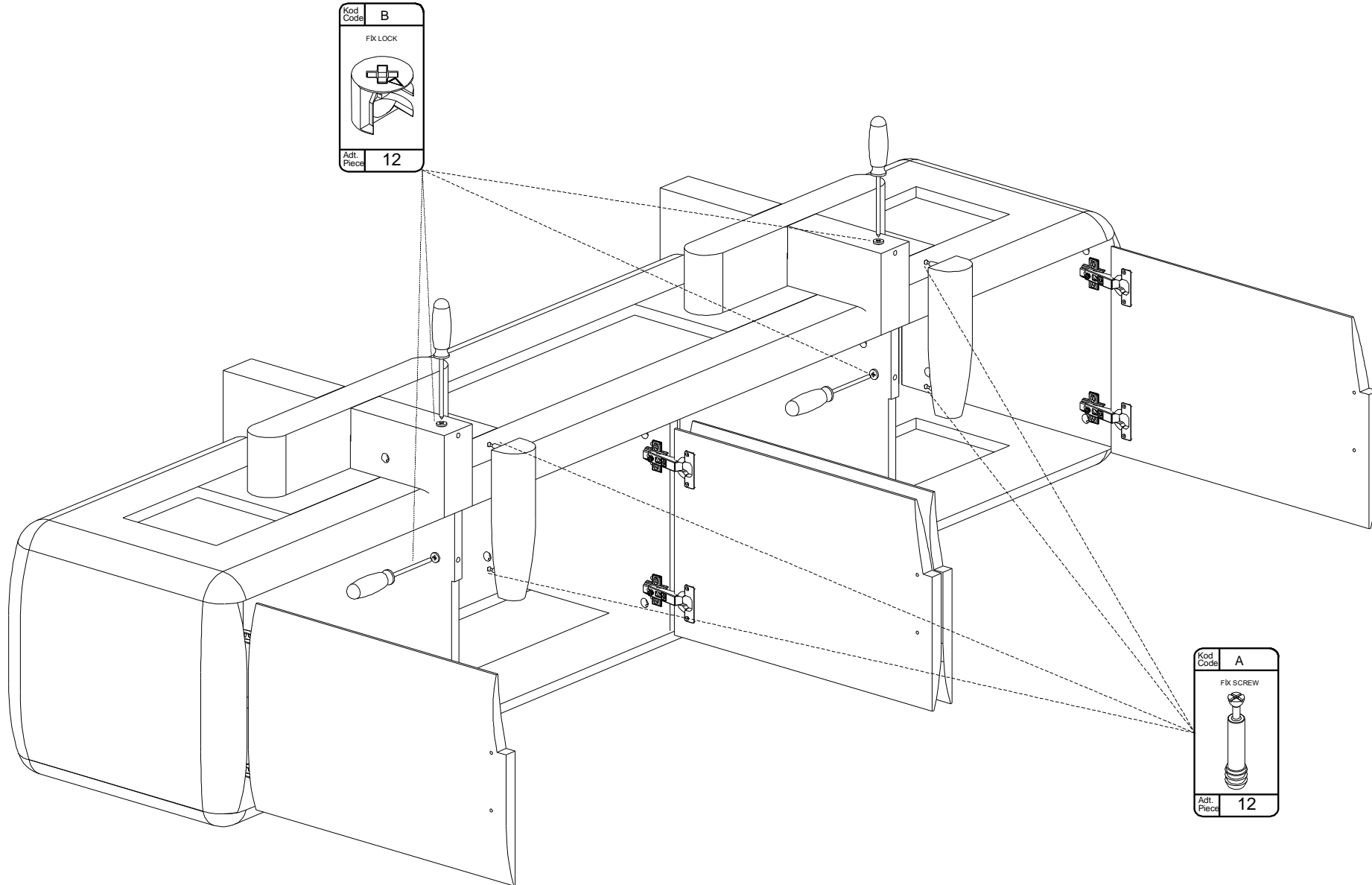


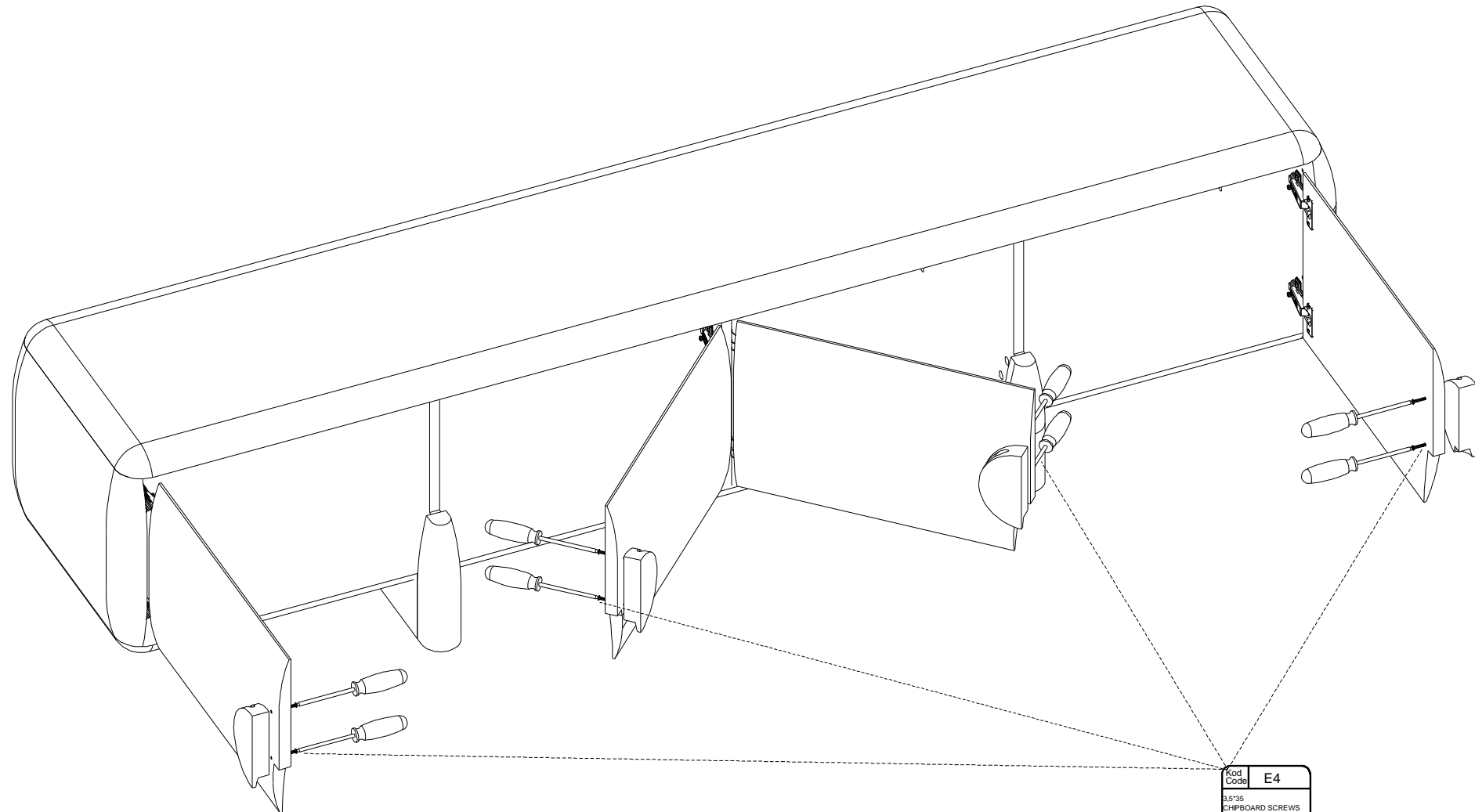
| | |
|---|----|
| Kod Code | A |
| FIX SCREW | |
|  | |
| Adt. Piece | 12 |


| | |
|---|----|
| Kod Code | B |
| FIX LOCK | |
|  | |
| Adt. Piece | 12 |

BAĞLANTI METARYALLERİ MONTE EDİNİZ
 INSTALL CONNECTION MATERIALS



BAĞLANTI METARYALLERİ MONTE EDİNİZ
INSTALL CONNECTION MATERIALS



| | |
|---|----|
| Kod Code | E4 |
| 3,5*35 CHIPBOARD SCREWS | |
|  | |
| Adl. Piece | 4 |

BAĞLANTI METARYALLERİ MONTE EDİNİZ
INSTALL CONNECTION MATERIALS