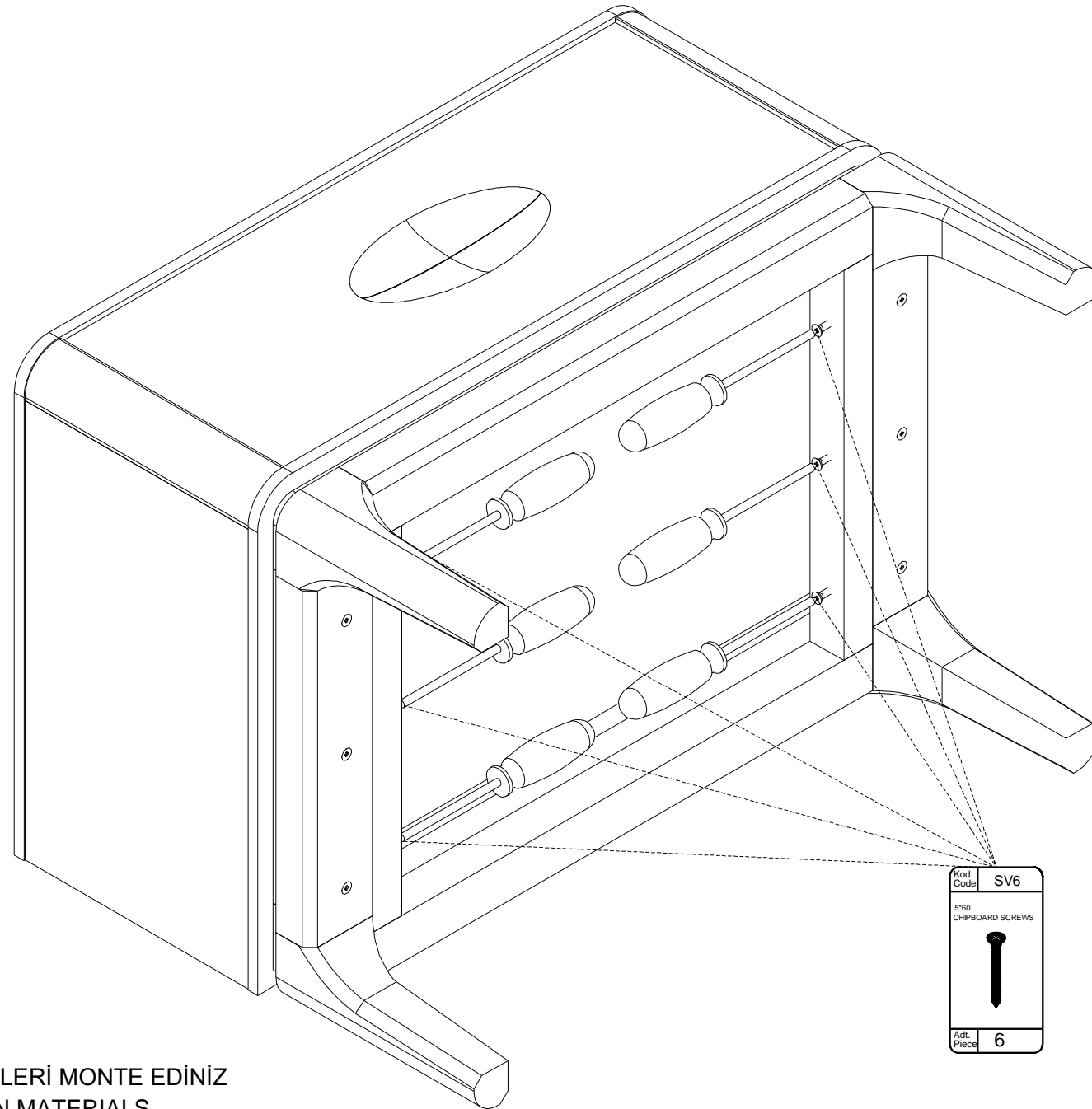
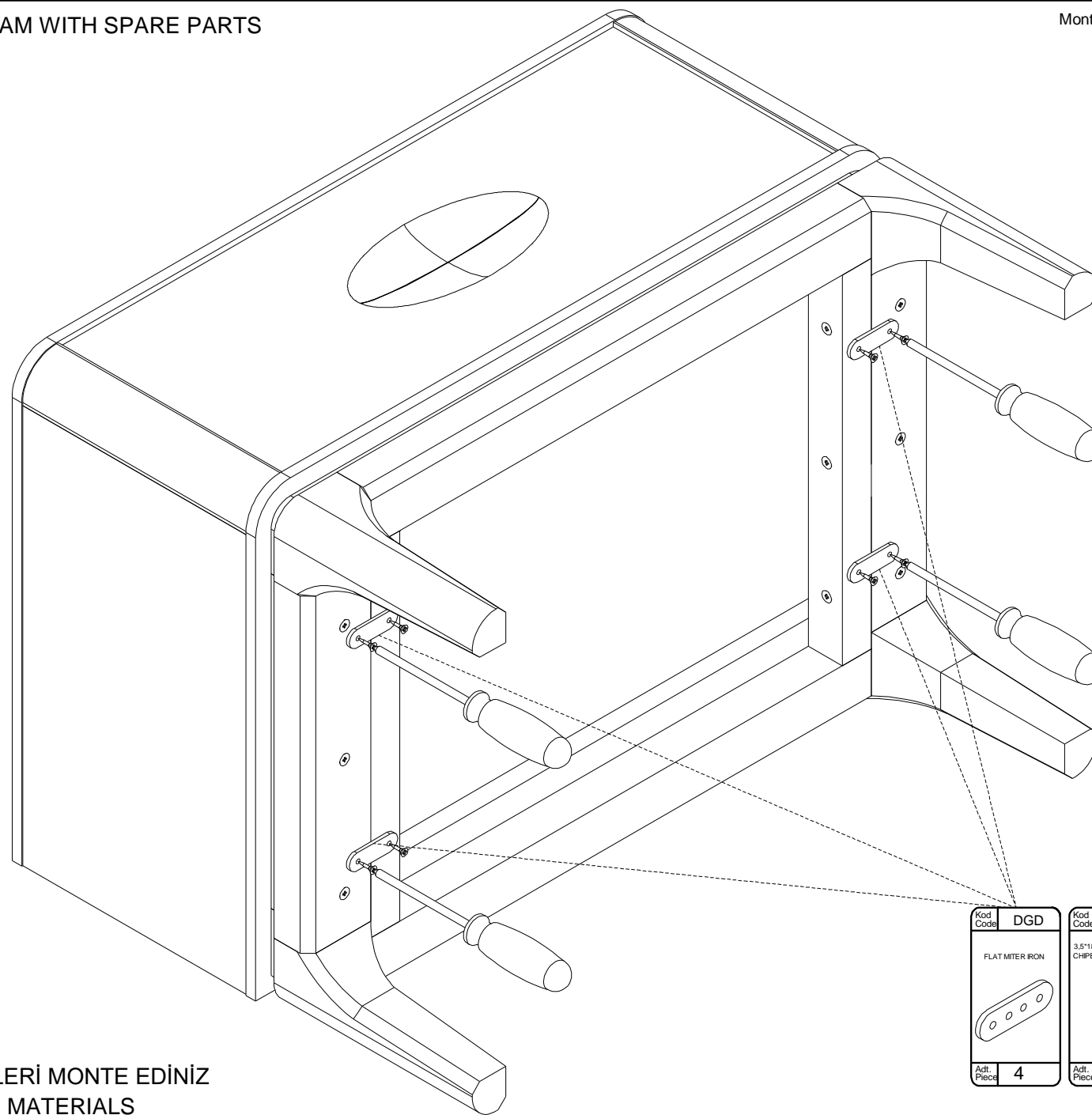


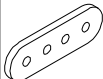

BAĞLANTI METARYALLERİ MONTE EDİNİZ  
INSTALL CONNECTION MATERIALS



BAĞLANTI METARYALLERİ MONTE EDİNİZ  
INSTALL CONNECTION MATERIALS



BAĞLANTI METARYALLERİ MONTE EDİNİZ  
INSTALL CONNECTION MATERIALS

Kod Code	DGD	Kod Code	E
	FLAT MITER IRON		3.5*18 CHIPBOARD SCREWS
			
Adt. Piece	4	Adt. Piece	16